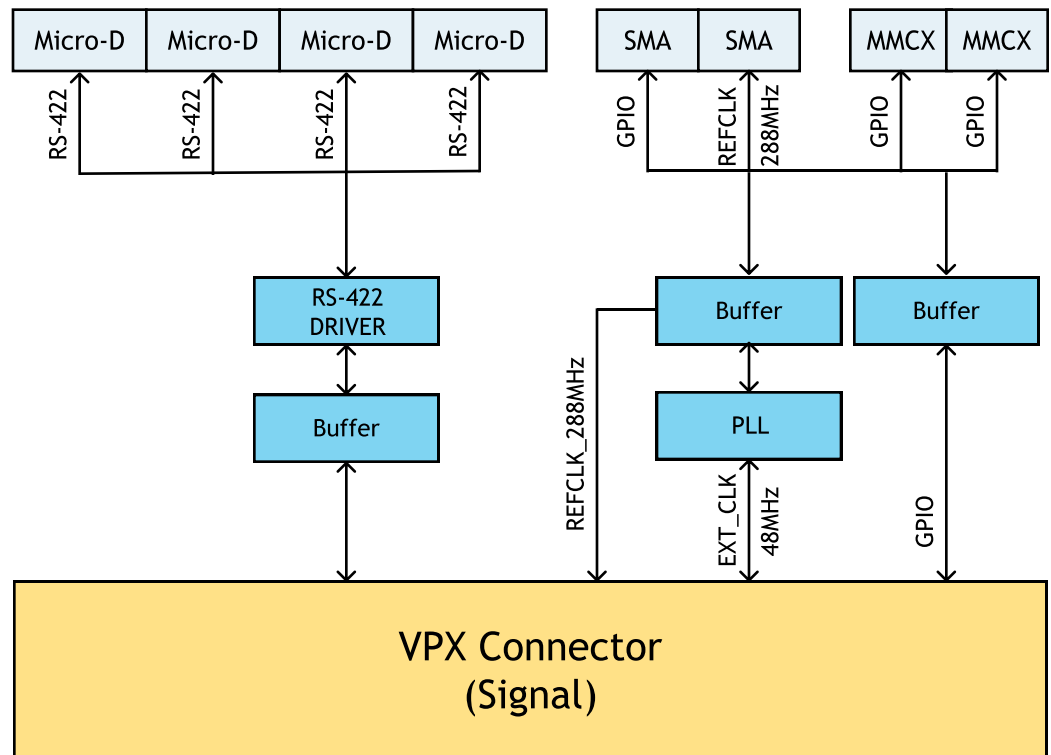


## Features

- 6U Open VPX Compliant
- 3 x RS-422 Sync signal Input I/F
- 27 x RS-422 Sync signal Output I/F
- 5 x RS-422 UART
- 2 x MMCX, 1 x SMA GPIO Ports
- Reference Clock Input I/F (SMA)



## Specification

Item	Description	Remark	
Form Factor	Open VPX 6U		
Rear IO	Micro-D	37Pin Female RS-422 Input 3 Ports, Output 12 Ports	
	Micro-D	15Pin Female RS-422 Output 3 Ports, RS-422 UART 1 Port	
	Micro-D	37Pin Male RS-422 Output 12 Ports	
	Micro-D	25Pin Female RS-422 UART 4 Ports	
	SMA	Reference Clock 288MHz Input / GPIO	
	MMCX	GPIO 2 Ports	
Environment	Operating	-40 °C to +85 °C	
	Storage	-50 °C to +100 °C	
	Humidity	0% - 95% Non-Considering	
Connector	VPX	Multi-Gig RT2 Connector R/A VITA46	
		Keying Guide	1-1469492-x
Reliability	MTBF	441,146(HOUR)	
Power Requirement		DC+12Volt @ 1.5A(MAX)	
Dimensions		233.3mm x 85.5mm x 25.1mm	
Weight		Approx. 0.3 Kg	