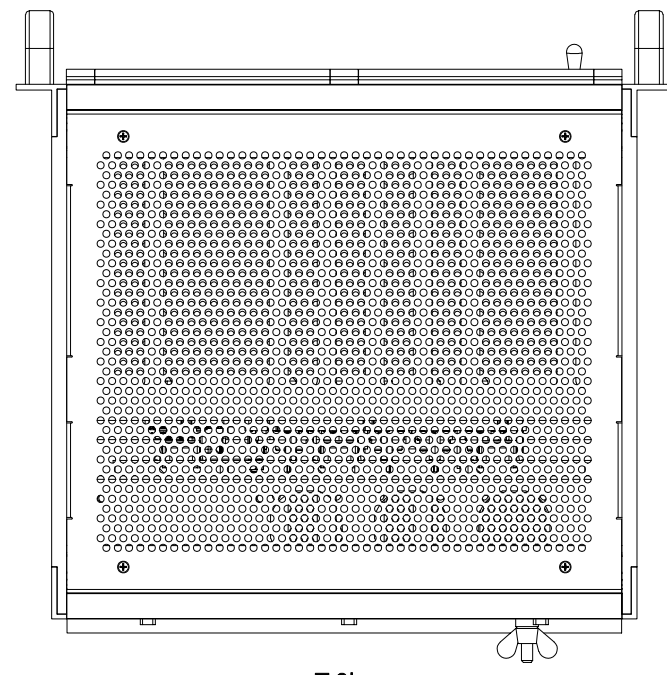
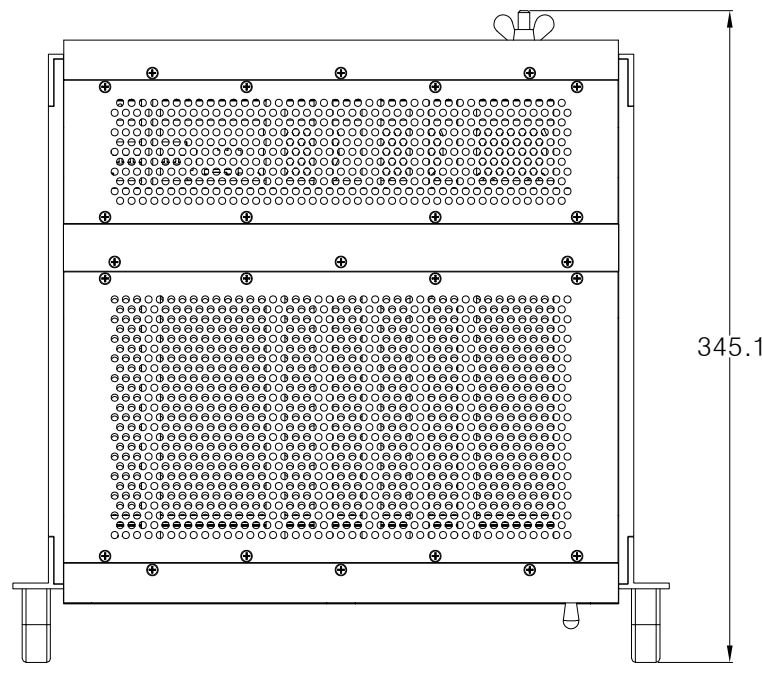
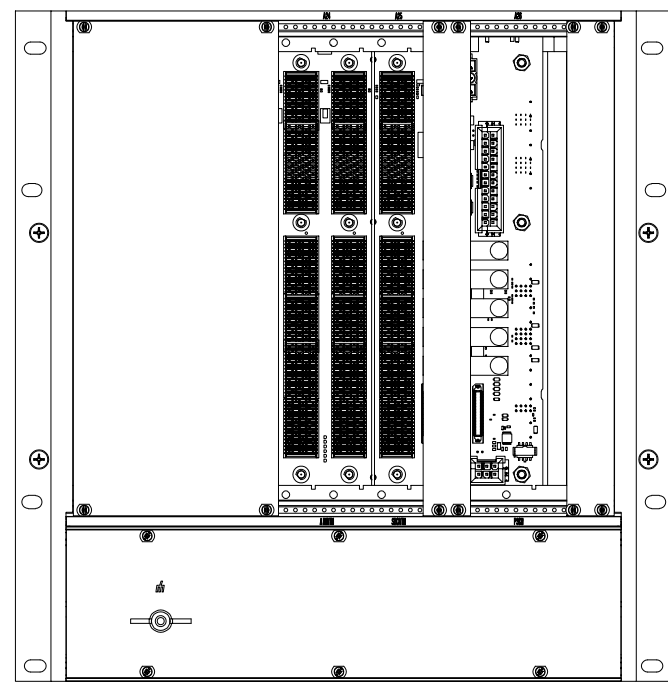
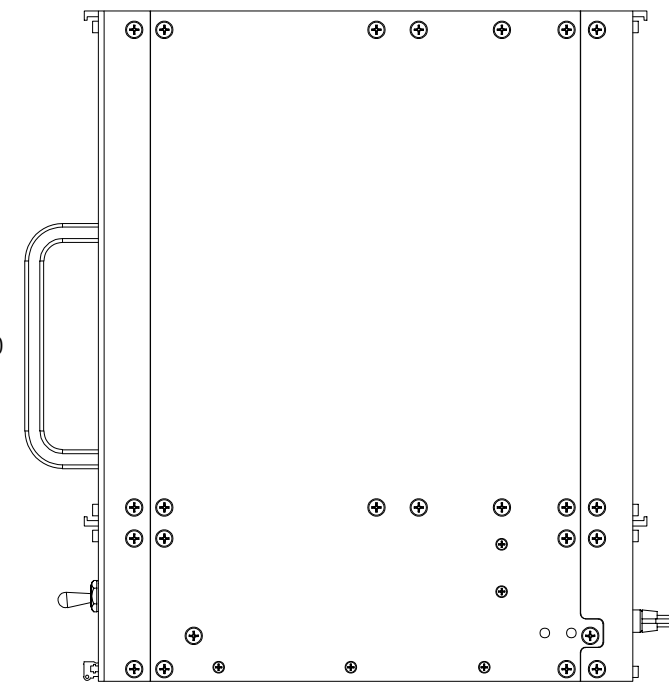
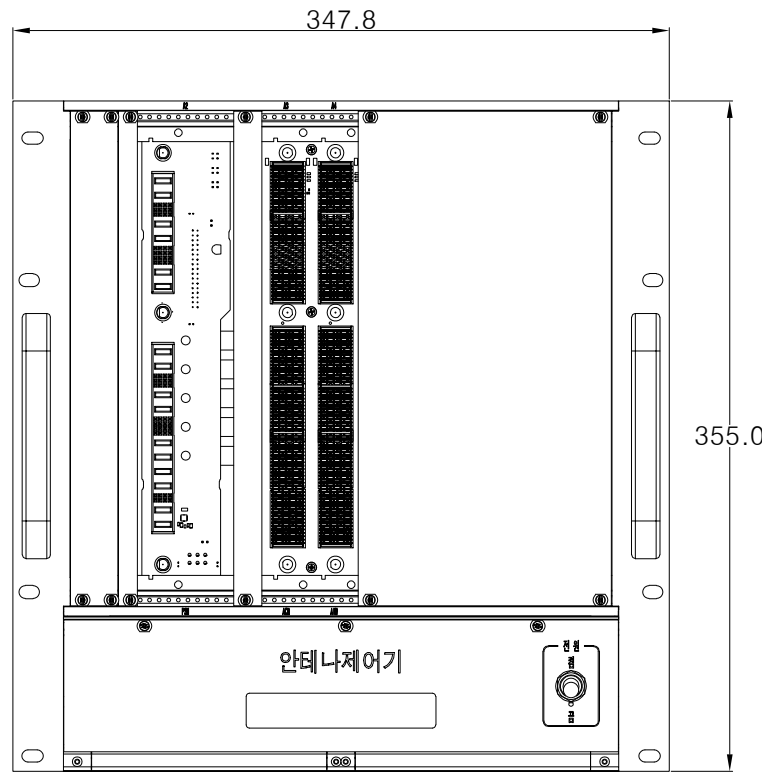
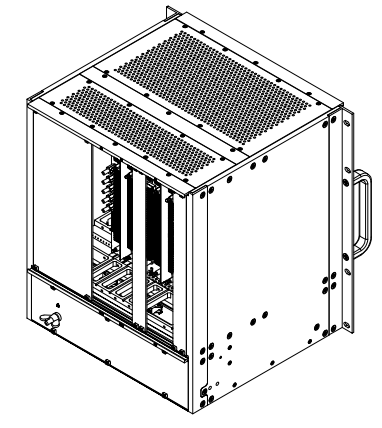
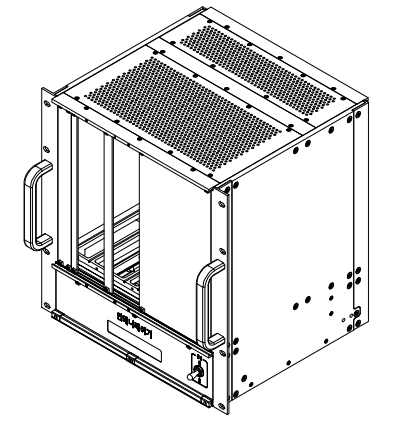


REVISIONS				ECO	ZONE	REV	DESCRIPTION	DRAFTER	DATE	APPROVED



투명 A

**NOTE.**  
1. 모든 치수는 참고 치수임.



ALL DIMENSIONS APPLY AFTER FINISH. DIMENSIONS ARE IN INCHES AND DEGREES. TOLERANCES ARE:	
DECIMALS .X ± .XX ± .XXX ±	SURFACE FINISH ✓ ⊕
ANGULAR X ±	THIRD ANGLE PROJECTION
FRACTIONS X / X ±	
재질	-
열처리	-

THIS DRAWING CONTAINS PROPRIETARY INFORMATION AND MAY NOT BE USED OR REPRODUCED WITHOUT THE WRITTEN PERMISSION OF SEEDCORE INC.	
승인부서 SEEDCORE_ME	2024-06-03
제도 SEEDCORE_ME	
설계 SEEDCORE_ME	
검도	
PBS012ESV, REV C	



도명 하우징		도면크기 A1	도번	REV 1
SC-LSKH-001		DO NOT SCALE THE DRAWING		SHEET 1 OF 1