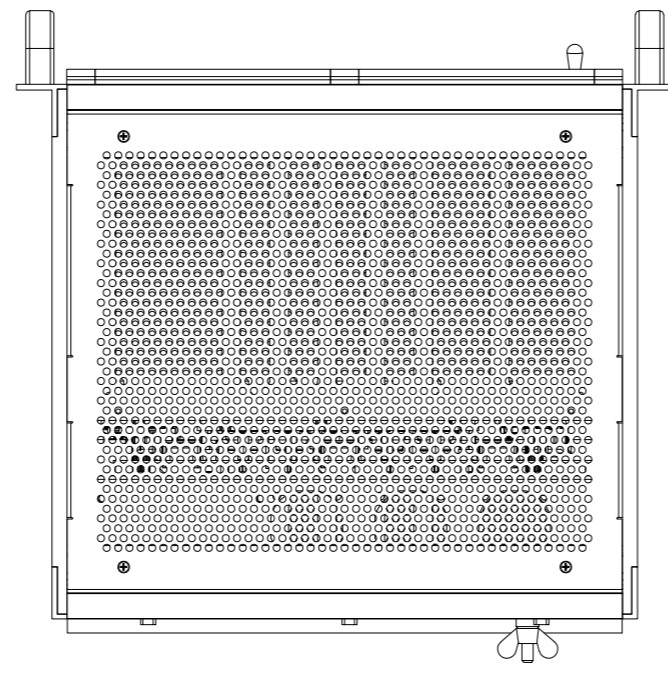
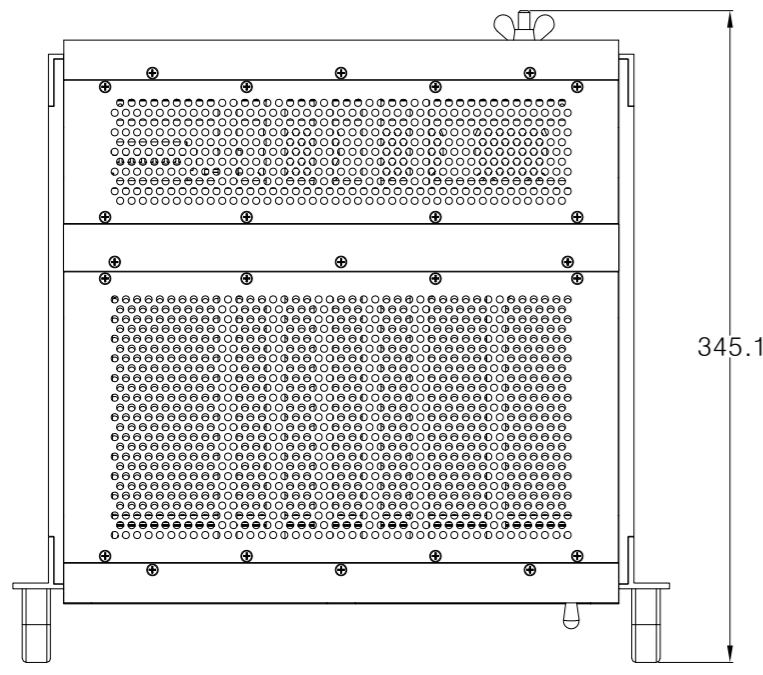
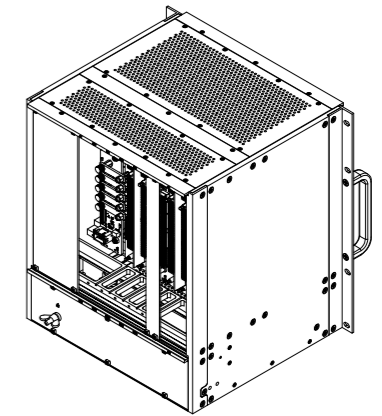
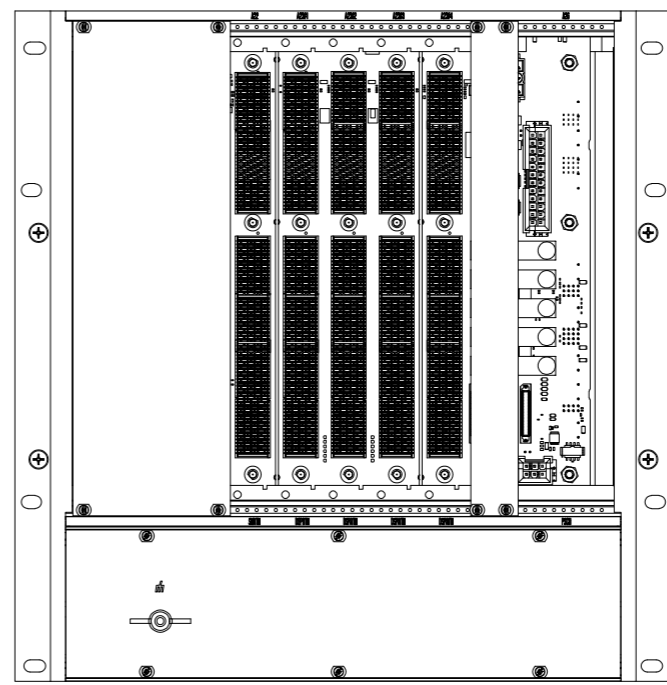
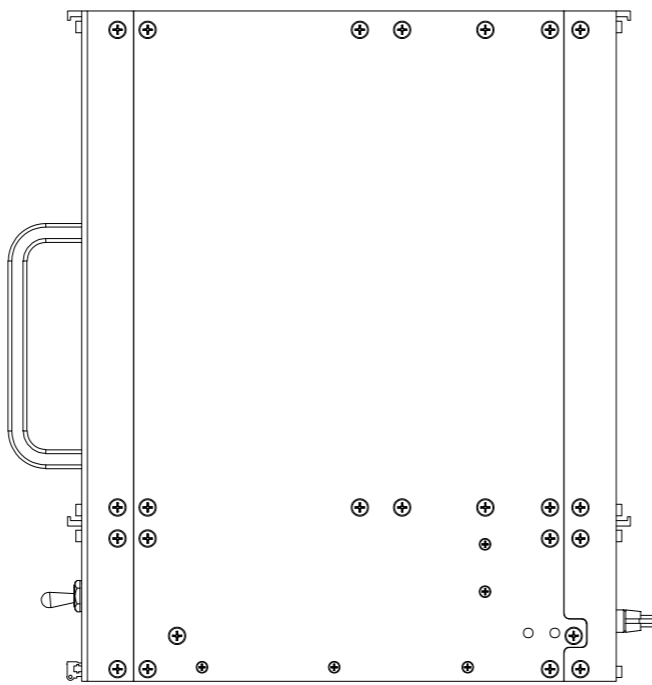
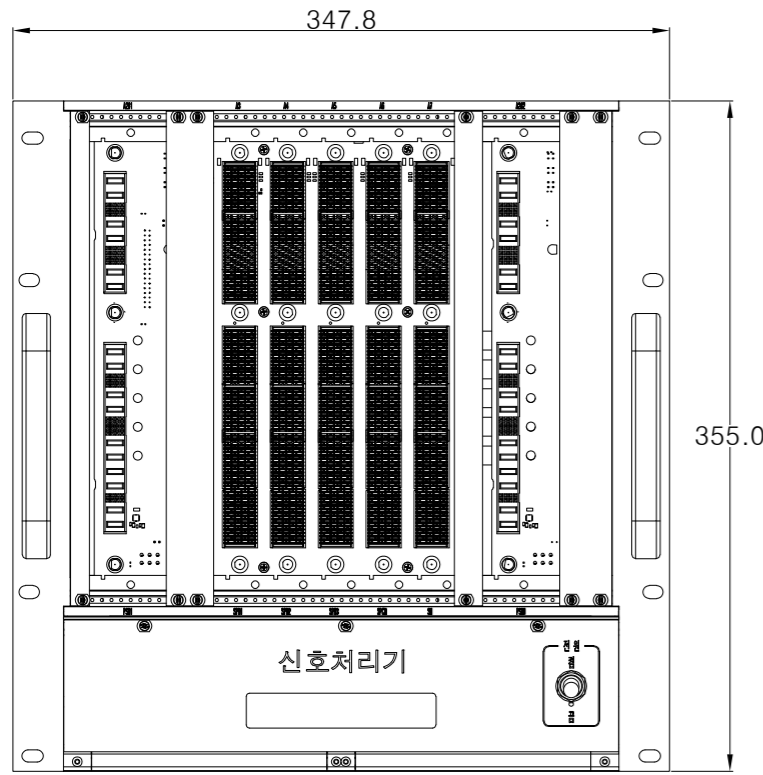
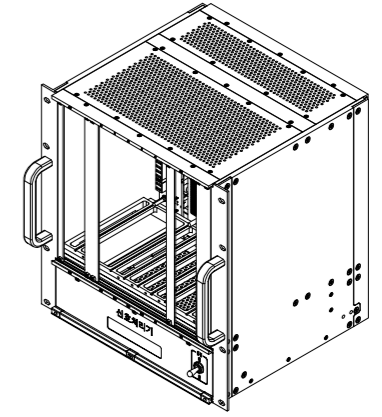


REVISIONS				ECO	ZONE	REV	DESCRIPTION	DRAFTER	DATE	APPROVED



**NOTE.**  
1. 모든 치수는 참고 치수임.

투영 A



A

ALL DIMENSIONS APPLY AFTER FINISH. DIMENSIONS ARE IN INCHES AND DEGREES. TOLERANCES ARE:	
DECIMALS .X ± .XX ± .XXX ±	SURFACE FINISH ✓ ⊕
ANGULAR X ±	THIRD ANGLE PROJECTION
FRACTIONS X / X ±	
재질	
열처리	

THIS DRAWING CONTAINS PROPRIETARY INFORMATION AND MAY NOT BE USED OR REPRODUCED WITHOUT THE WRITTEN PERMISSION OF SEEDCORE INC.	
승인부서	SEEDCORE_ME 2024-06-03
제도	SEEDCORE_ME
설계	SEEDCORE_ME
검도	
PBS012ESV, REV C	



하우징		도명	도면크기	도번	REV
SC-LSKH-002		A1			1
DO NOT SCALE THE DRAWING		SHEET 1 OF 1			

4

3

4

2

1

A