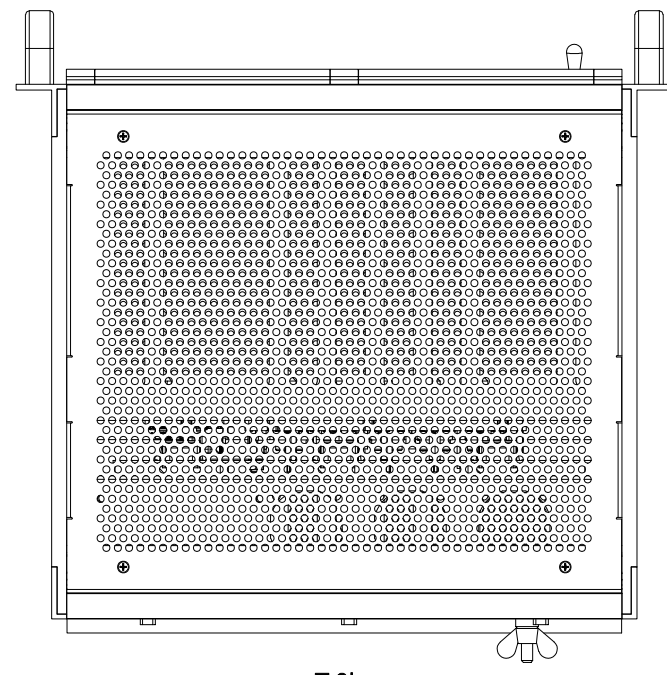
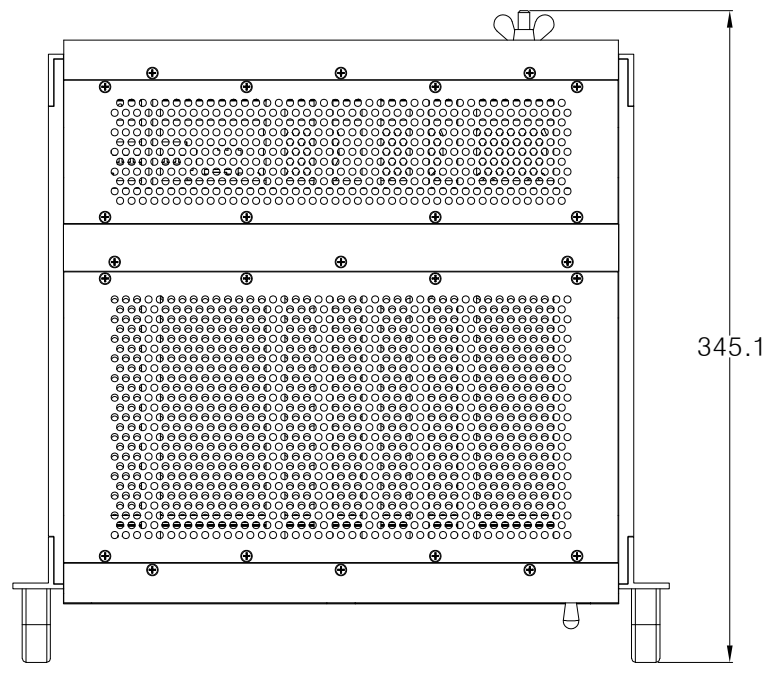
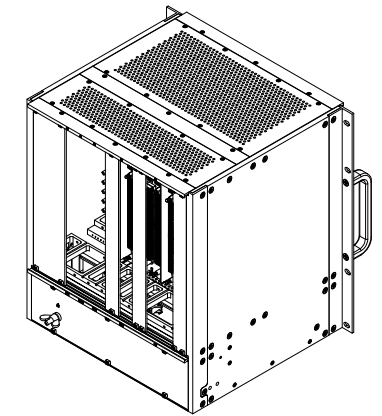
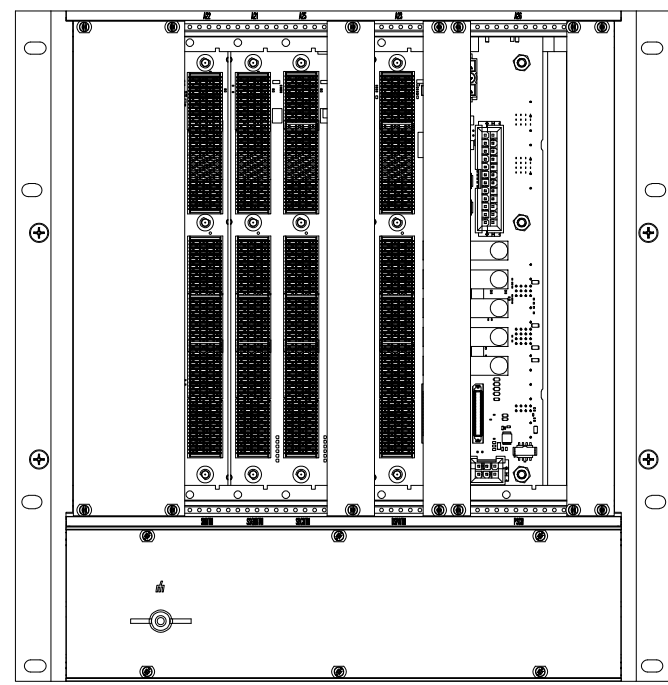
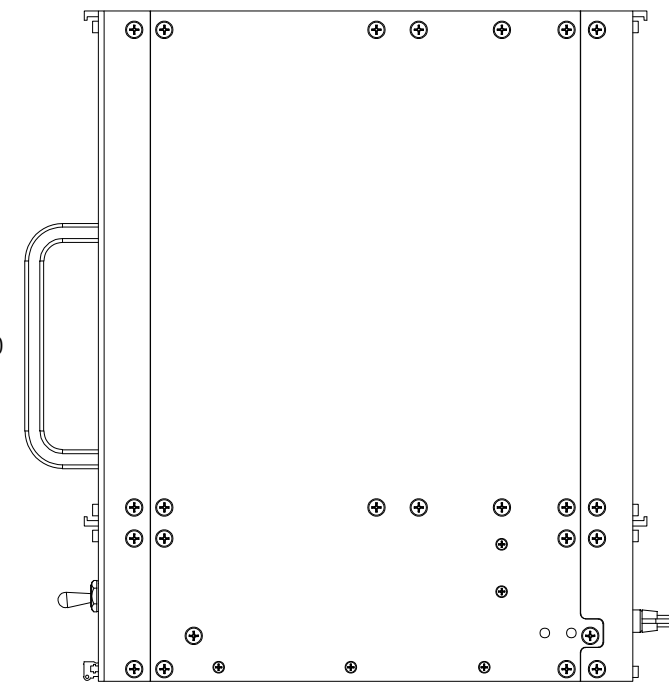
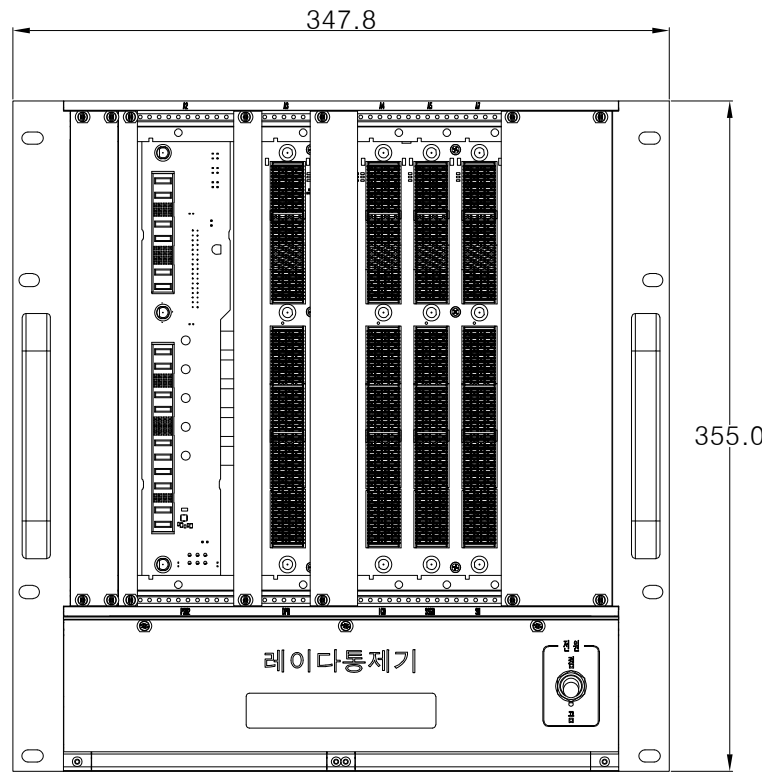
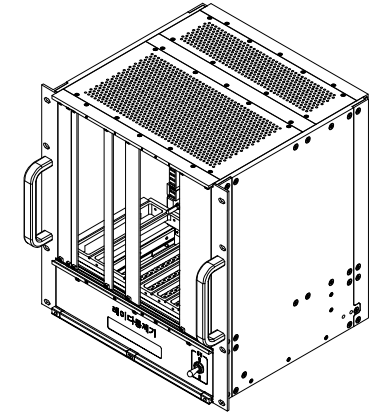


REVISIONS				ECO	ZONE	REV	DESCRIPTION	DRAFTER	DATE	APPROVED



투명 A

**NOTE.**  
1. 모든 치수는 참고 치수임.



ALL DIMENSIONS APPLY AFTER FINISH. DIMENSIONS ARE IN INCHES AND DEGREES. TOLERANCES ARE:	
DECIMALS .X ± .XX ± .XXX ±	SURFACE FINISH ✓ ⊕
ANGULAR X ±	
FRACTIONS X / X ±	
THIRD ANGLE PROJECTION	
재질	-
열처리	-

THIS DRAWING CONTAINS PROPRIETARY INFORMATION AND MAY NOT BE USED OR REPRODUCED WITHOUT THE WRITTEN PERMISSION OF SEEDCORE INC.	
승인부서	SEEDCORE_ME
제도	SEEDCORE_ME
설계	SEEDCORE_ME
검도	
PBS012ESV, REV C	

**하우징**

**SC-LSKH-003**

도면크기	도면	REV
A1		1
척도	DO NOT SCALE THE DRAWING	SHEET 1 OF 1

