

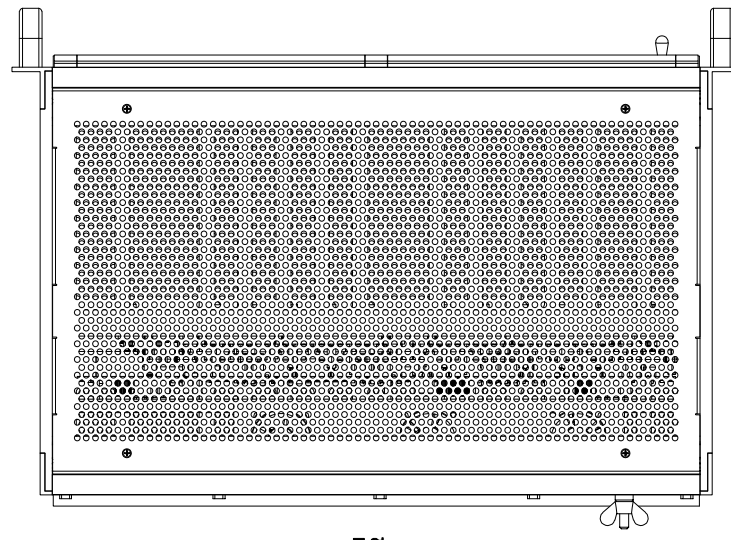
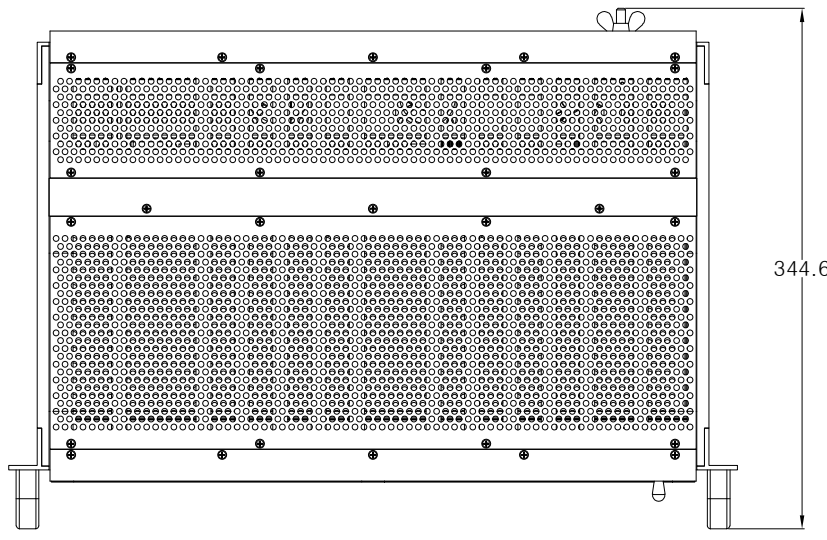
4

3

2

1

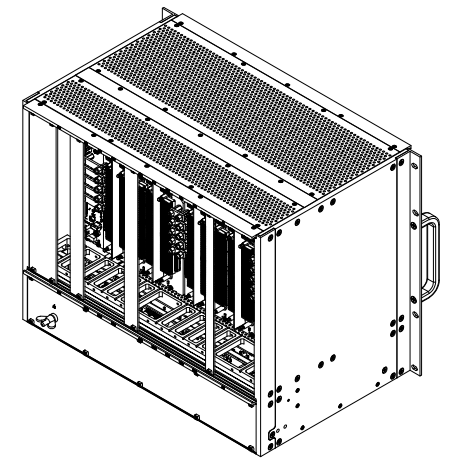
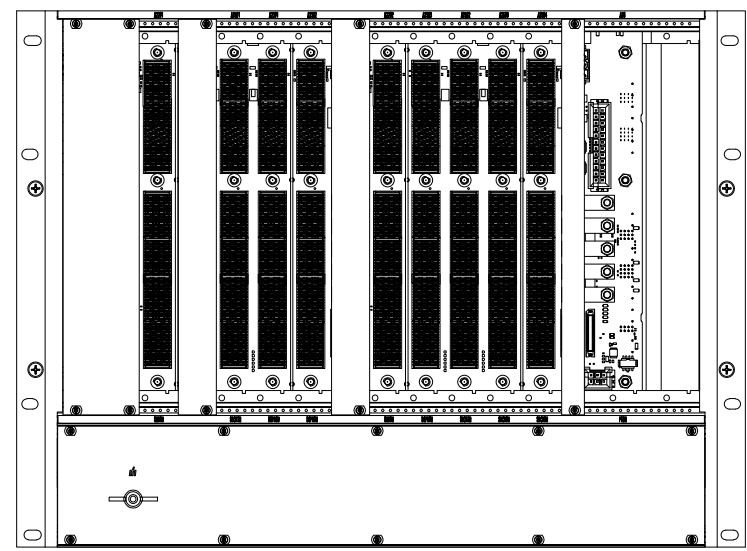
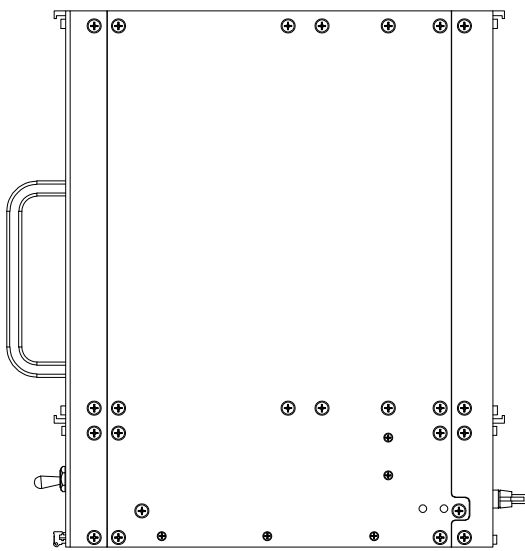
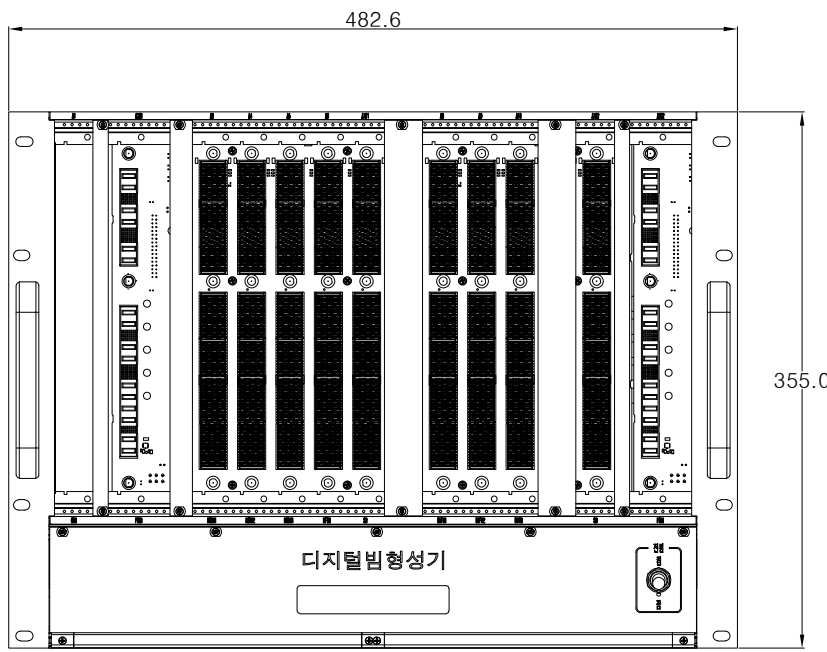
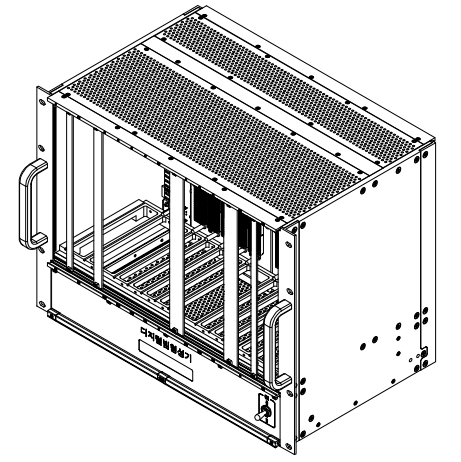
REVISIONS				DRAFTER	DATE	APPROVED
ECO	ZONE	REV	DESCRIPTION			



투영 A

NOTE.

1. 모든 치수는 참고 치수임.



4

3

2

1

ALL DIMENSIONS APPLY AFTER FINISH. DIMENSIONS ARE IN INCHES AND DEGREES. TOLERANCES ARE:		SURFACE FINISH ✓
DECIMALS .X ± .XX ± .XXX ±	ANGULAR X ± FRACTIONS X / X ±	
THIRD ANGLE PROJECTION		
재질	-	
열처리	-	

THIS DRAWING CONTAINS PROPRIETARY INFORMATION AND MAY NOT BE USED OR REPRODUCED WITHOUT THE WRITTEN PERMISSION OF SEEDCORE INC.	
승인부서	SEEDCORE_ME 2024-06-03
제도	SEEDCORE_ME
설계	SEEDCORE_ME
검도	
PBS012ESV, REV C	



도명		하우징		REV 1
도면크기	도면	SC-LSKH-004		
척도	DO NOT SCALE THE DRAWING		SHEET 1 OF 1	