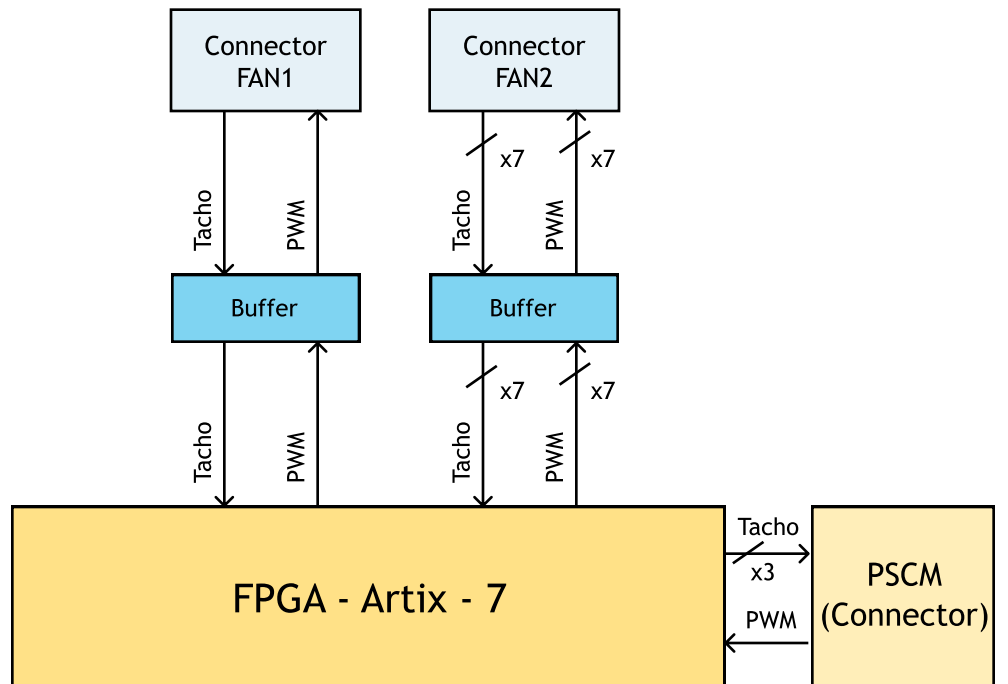
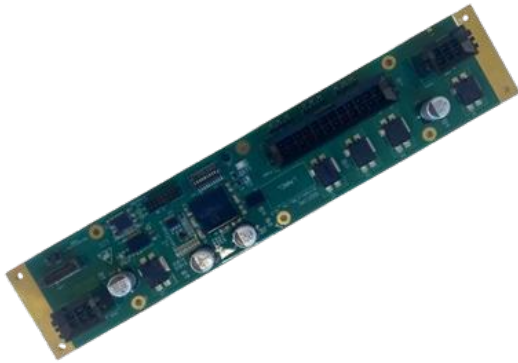


SCFAN-CTRL-5U

Features

- 1 x FAN(12V@3.5A) Control Possible
- 7 x FAN(12V@2.5A) Control Possible



Specification

Item		Description	Remark
Process	FPGA	XC7A15T-1FTG256I	Artix-7
Connector	INPUT12V	Mini-Fit, 4.20mm Pitch, Dual Row, Vertical, 6 CKT	
	FAN1	Mini-Fit, 4.20mm Pitch, Dual Row, Vertical, 6 CKT	
	FAN2	Mini-Fit, 4.20mm Pitch, Dual Row, Vertical, 24 CKT	
	PSCM	1.27mm Pitch, Dual Row, 20 CKT	
Environment	Operating	-40 °C to +85 °C	
	Storage	-50 °C to +100 °C	
	Humidity	0% - 95% Non-Considering	
Reliability	MTBF	622,988(HOUR)	
Power Requirement		DC+12Volt @ 26A(MAX)	
Dimensions		240mm x 49.8mm x 24mm	
Weight		Approx. 0.15 Kg	